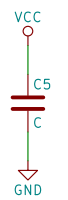
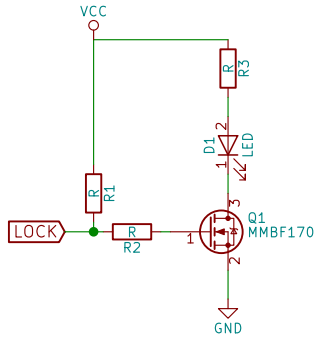
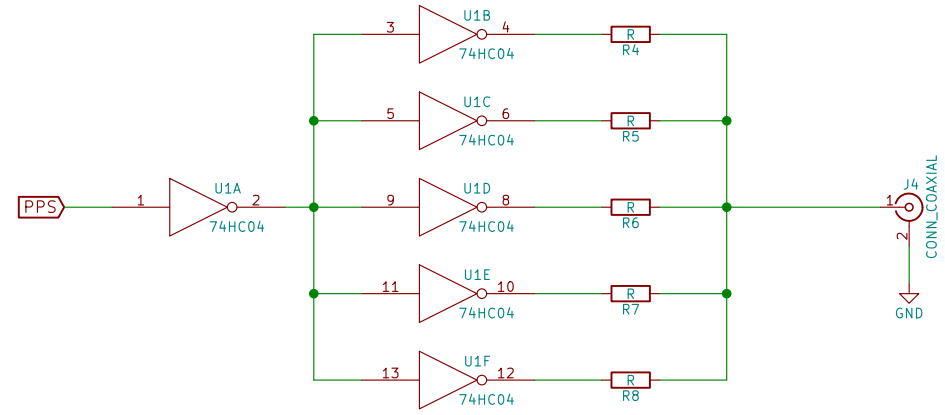
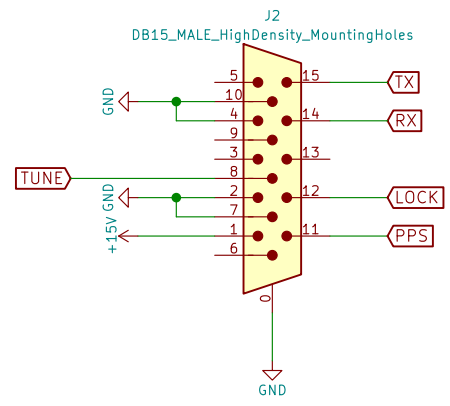
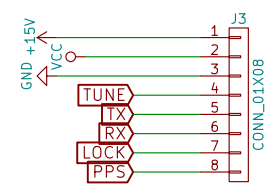


- J5 1
- CONN\_01X01\_MALE
- J6 1
- CONN\_01X01\_MALE
- CONN\_01X01\_MALE
- CONN\_01X01\_MALE
- CONN\_01X01\_MALE



SA6CID	
Thomas Petig	
Sheet: /	
File: rb-pps-amp.sch	
<b>Title: PPS driver for FE-5680B</b>	
Size: A4	Date: 2017-08-16
KiCad E.D.A. kicad 4.0.6	Rev: 1
	Id: 1/1